

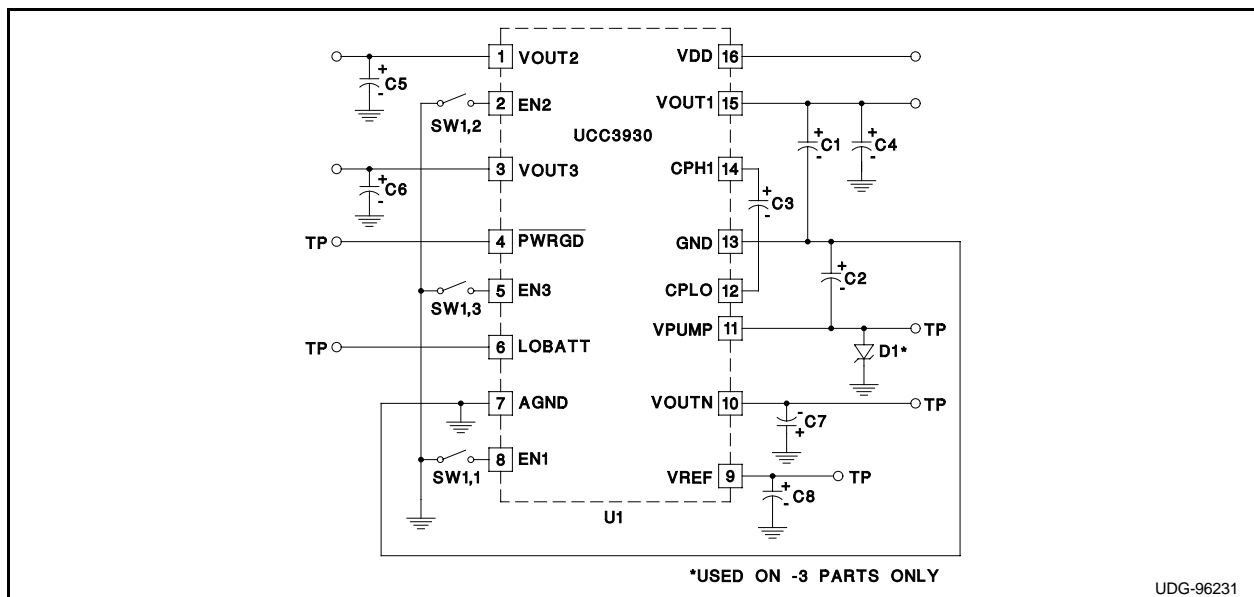


**UCC3930 Cellular Telephone Power Converter  
Evaluation Kit Schematic and List of Materials**

by Chuck Melchin

The Unitrode UCC3930 Cellular Telephone Power Converter integrates three positive, low dropout voltage regulators, a negative voltage power source for GaAs MESFET amplifiers, and low battery and power good signal logic in a 16 pin SSOP or DIP package. This evaluation kit is intended to enable a designer to appreciate the various features of this device. There are conven-

ient easy clip pins to attach power and to measure pertinent test points. There are also dip switches connected to the output enable pins for selecting different output configurations. For complete details of the operation of the UCC3930, please refer to the UCC3930 datasheet included in the evaluation package.



**List of Materials:**

- C1 10µF Sprague #595D106X0010A2T
- C2 2.2µF Sprague #595D225X0010T2T
- C3 0.1µF #ECU - V1H104KBW
- C4 2.2µF Sprague #595D225X0010T2T
- C5 2.2µF Sprague #595D225X0010T2T
- C6 1µF Sprague #595D105X0020T2T
- C7 1µF Sprague #595D105X0020T2T
- C8 0.1µF #ECU - V1H104KBW
- D1 SK12DICT
- SW1 CTC2083
- U1 UCC3930-3 or UCC3930-5